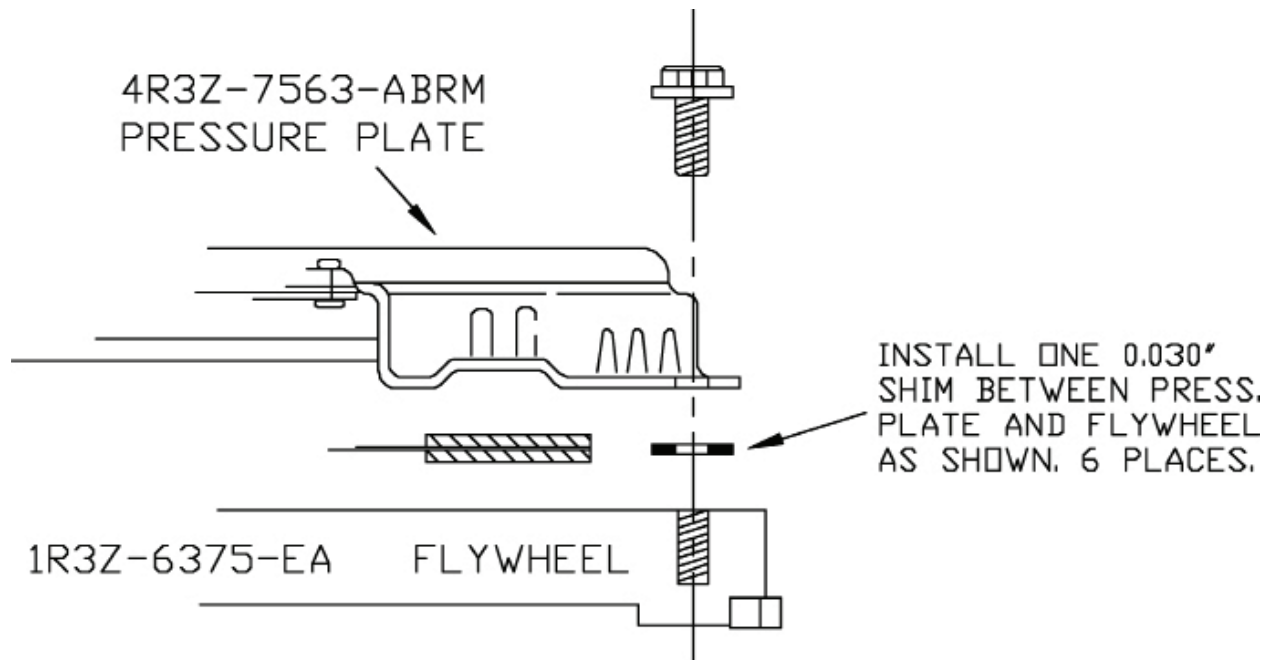


IMPORTANT

When using Centerforce Friction Disc **PN: LM281126** in conjunction with Ford Pressure Plate **PN: 4R3Z-7563-ABRM** you must install shims between the Pressure Plate and the Flywheel as shown above - tighten all fasteners to factory specifications.



"NOTE" Centerforce tip sheets are for general reference only. Please refer to your owners manual for vehicle specifications.

IMPORTANT