

# IMPORTANT

## TOYOTA SUPRA TURBO CLUTCH ADJUSTMENT (PULL OFF CLUTCH ONLY) PART NUMBERS CF100500, AND DF500100

The following procedures must be followed after installation of new clutch assembly prior to operating or driving of the vehicle.

**WARNING:** Failure to properly follow these procedures may result in poor clutch performance, improper release, clutch slippage, and premature wear or failure!

- A:** Measure the clutch pedal height (figure B), this height should be 6-3/16" (157mm) to 6-9/16" (167mm) (equal to brake pedal height). To adjust, (figure A), loosen the pedal stop locknut and turn the bolt to adjust pedal height to specification. After proper pedal height is achieved, secure the locknut.
- B:** Measure the clutch pedal freeplay (figure B), this dimension should be between 3/16"(5mm) to 9/16"(15mm). To adjust pedal freeplay, loosen the pushrod locknut and turn the pushrod (located between the clutch pedal and the master cylinder) lengthening the pushrod to reduce pedal freeplay or shortening to add more pedal freeplay to specified freeplay dimension, then secure the pushrod locknut and verify proper adjustment. Once this has been done, the pushrod play should be approx. .040" (1mm) to .200" (5mm).

**NOTE:** This setting is a recommendation and may be adjusted as needed, however a minimum of 3/16"(5mm) of pedal freeplay must be maintained! Be careful that the pushrod does not begin to depress the master cylinder (pushrod play must be maintained).

Figure A

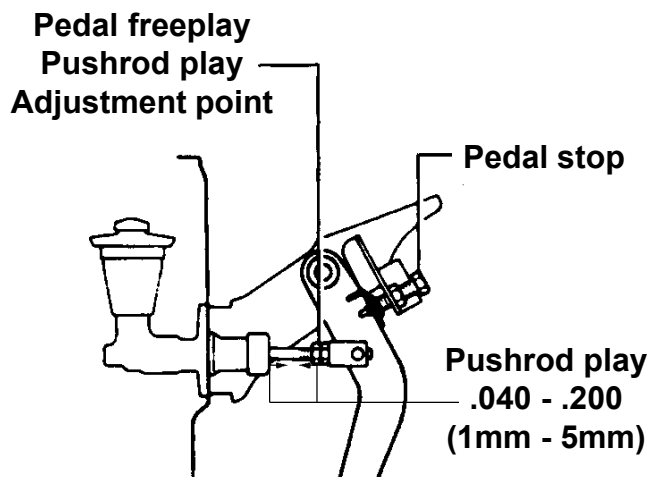
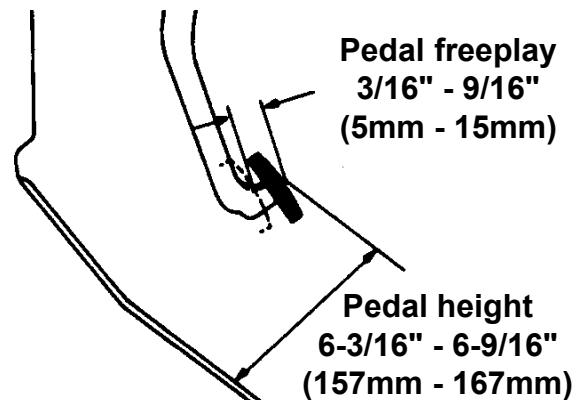


Figure B



**"NOTE"** Centerforce tip sheets are for general reference only. Please refer to your owners manual for vehicle specifications.