

# IMPORTANT

Your new Centerforce® Dual-Friction clutch set DF611679 requires installation of the enclosed flywheel dowel pins. For proper clutch fitment, please follow these instructions carefully:

1) Using a 3/16" diameter drift punch (or equivalent tool) and hammer, drive the three factory stock dowel pins out of your Original Equipment flywheel from the engine side of the flywheel (as shown in Fig. A). Note: The factory stock dowel pins will not be re-used with the Centerforce clutch set.

2) Properly resurface your flywheel following standard industry practices – or replace with a new flywheel as needed (Reference Centerforce flywheel part number: 700210 billet steel replacement flywheel or 900210 billet aluminum replacement flywheel).

3) Install the three enclosed stepped dowel pins from the transmission (clutch) side of the flywheel (as shown in Fig. B). Note: The small end of the supplied dowel pins will fit very tightly into the flywheel dowel holes – be sure the pins enter straight into the flywheel holes and be careful to prevent damage to the flywheel and pins when driving them into the flywheel. Continue to drive the stepped dowel pins into the flywheel until the large end of the dowel pin seats flush against the flywheel (Fig. B – side view).

Your new Centerforce Pressure Plate will now fit properly on the flywheel while locating over the new stepped dowel pins. Install your Centerforce clutch set with factory stock (or aftermarket approved) high quality flywheel and pressure plate bolts. Be sure to torque all fasteners to factory stock specifications. Note: If needed, replacement stepped dowel pins can be obtained from

FIG "A"

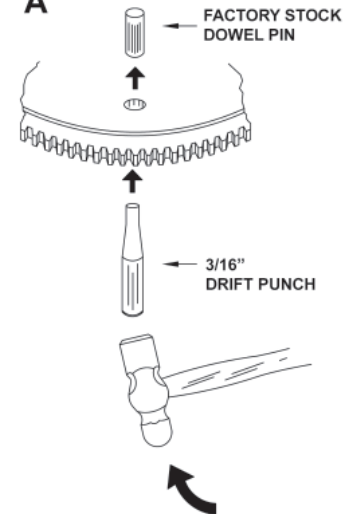
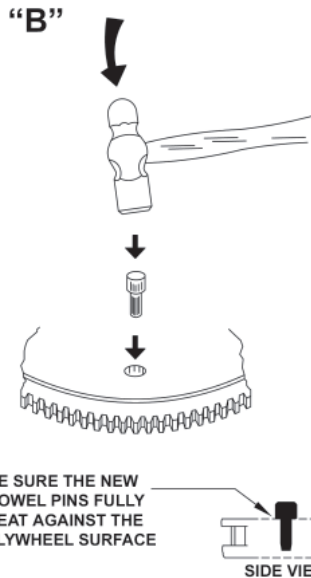


FIG "B"



**"NOTE"** Centerforce tip sheets are for general reference only. Please refer to your owners manual for vehicle specifications.

# IMPORTANT