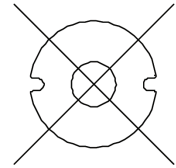


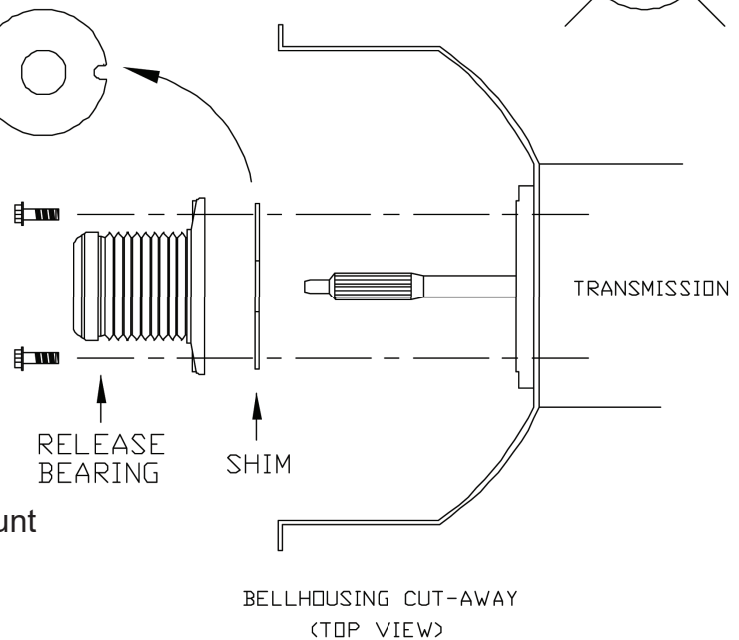
IMPORTANT

DO NOT USE ANY AFTERMARKET RELEASE BEARING SHIMS!

IF YOUR APPLICATION HAS THIS SHIM,
REMOVE AND DISCARD



- 1) Remove the two release bearing retaining bolts.
- 2) Remove the release bearing and shim.
- 3) Re-install the release bearing without the shim.
- 4) Re-Install the release bearing retaining bolts using a small amount of threadlock on each bolt.
- 5) Torque each bolt to 8-10 ft/lbs.



"NOTE" Centerforce tip sheets are for general reference only. Please refer to your owners manual for vehicle specifications.

IMPORTANT