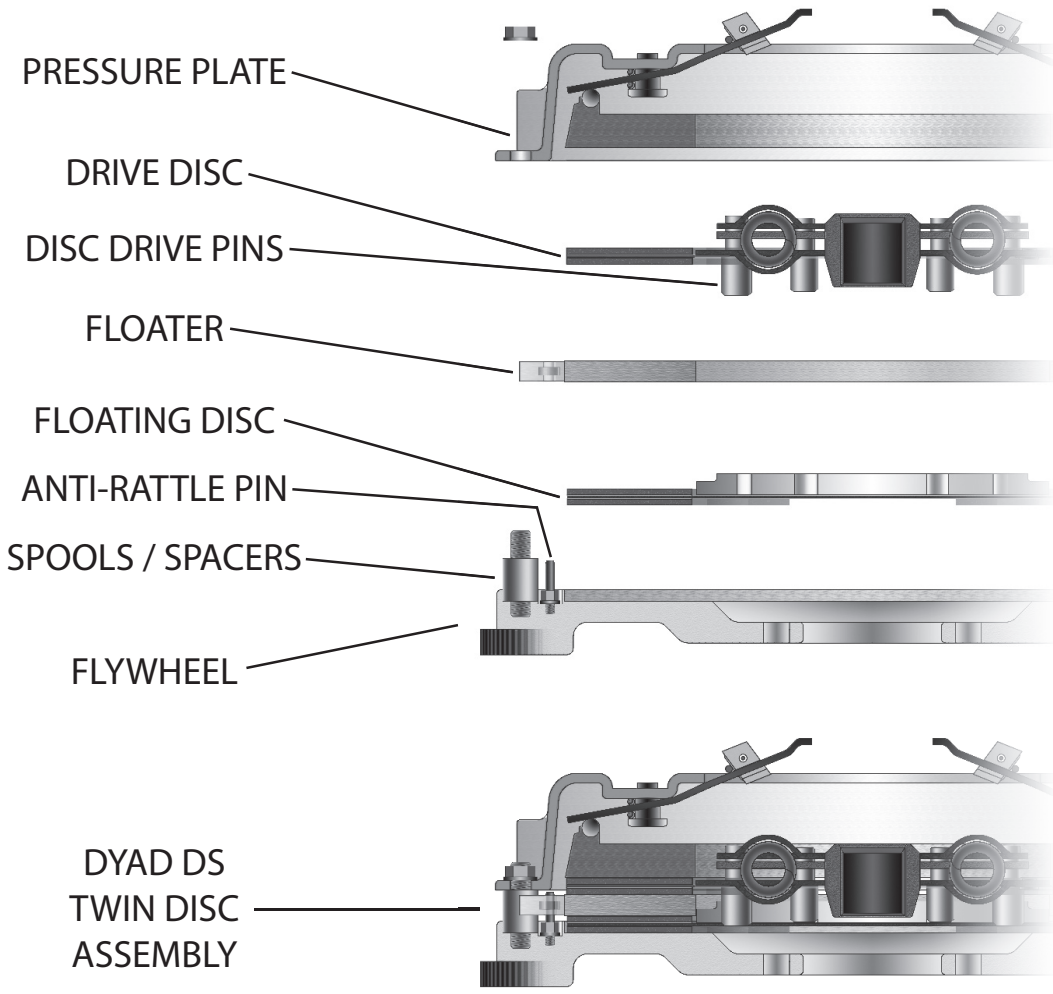


IMPORTANT

DYAD DS COMPONENT DIAGRAM



DYAD DS
TWIN DISC
ASSEMBLY

ENGINE SIDE

"NOTE"

Please observe the critical 500 mile clutch break-in period as described within the enclosed tip sheet.
 Centerforce tip sheets are for general reference only.
 Please refer to your owners manual for vehicle specifications.
 Should you have questions or if you require further information in regards to your new Centerforce
 DYAD clutch system please contact our tech line.